

# SKAT 2.6 TONNE MINI CRANE SPECIFICATIONS

## SAFE WORKING LOADS (SWL)

SWL are based on 66.7% of tipping. SWL are based on firm level ground with 3° deviation for out of level use. For use beyond this point, contact the manufacturer. Weight of hook block and lifting gear to be added to weight of load. During lift and carry, load shall be carried with minimum boom length and as close to ground as possible, at speed not in excess of 3kph. With rhino horn attached 65mm must be added to boom length indicator reading.

**#WARNING** Lower winch before extending boom.  
There is no hoist rope compensation on boom extension.

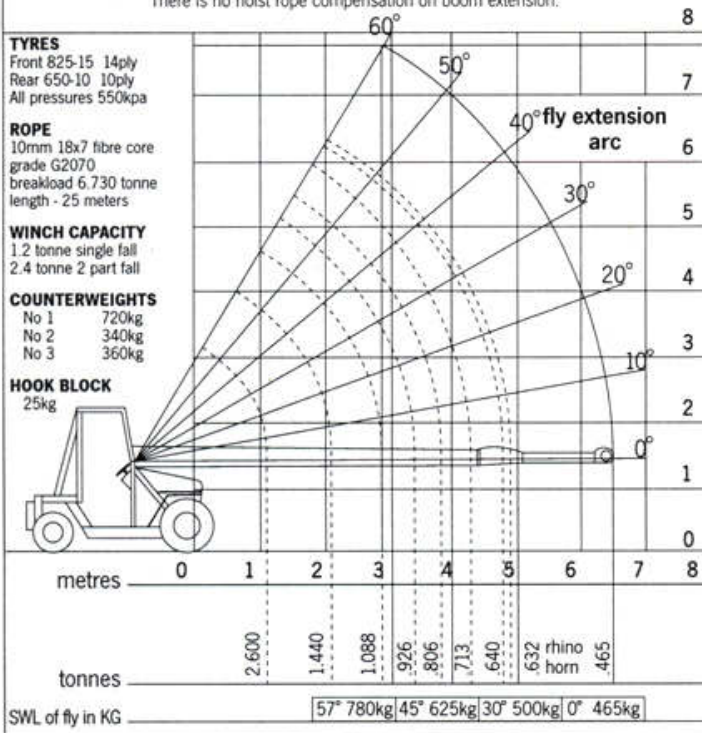
**TYRES**  
Front 825-15 14ply  
Rear 650-10 10ply  
All pressures 550kpa

**ROPE**  
10mm 18x7 fibre core  
grade G2070  
breakload 6.730 tonne  
length - 25 meters

**WINCH CAPACITY**  
1.2 tonne single fall  
2.4 tonne 2 part fall

**COUNTERWEIGHTS**  
No 1 720kg  
No 2 340kg  
No 3 360kg

**HOOK BLOCK**  
25kg



## JIB

Two (2) stage hydraulic

## Engine

Perkins 104.22KR water cooled diesel  
50 HP at 2800 rpm

## TYRES

Front - 8.25-15 Industrial Cheng Shin 14 ply  
Rear - 6.50-10 Industrial Cheng Shin 10 ply

## HYDRAULICS

Danfoss hydraulic motors at each front wheel  
Infinite variable speed control

## SPEED

Maximum road speed 18 KPH

## TURNING RADIUS

2.6 metres

## SAFETY DEVICES

|                                 |                  |
|---------------------------------|------------------|
| Winch                           | overcentre valve |
| Boom lifting                    | overcentre valve |
| Boom extension                  | overcentre valve |
| Boom length indicator           |                  |
| Mechanical boom angle indicator |                  |
| Winch overlimit warning device  |                  |

## OPTIONS

All options available as factory or field fit and include:

- Winch
- Rhino horn
- Road registration kit
- 2 metre fly
- Pallet lifter

## WARRANTY

1200 hours or 12 months, whichever occurs first

## DIMENSIONS

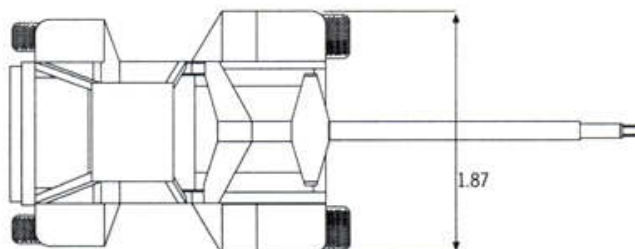
|                              |              |
|------------------------------|--------------|
| Length                       | 5.15 metres  |
| Width                        | 1.87 metres  |
| Height boom<br>in horizontal | 1.6 metres   |
| Height to top of cab         | 1.975 metres |
| Gross weight                 | 3.8 tonnes   |
| Winch                        | 0.1502       |
| Counterweights (3)           | 1.42 tonnes  |

\*Specifications subject to change without prior notice

## DIMENSIONS AND POINT LOADS

Rear 51.5psi  
or 18kgs/cm<sup>2</sup>

Front 22.5psi  
or 7.92kgs/cm<sup>2</sup>



### NOTE:

Rear 20.8psi or 7.3kgs/cm<sup>2</sup> with all counter weights removed

